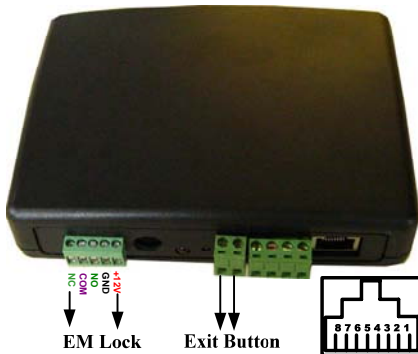


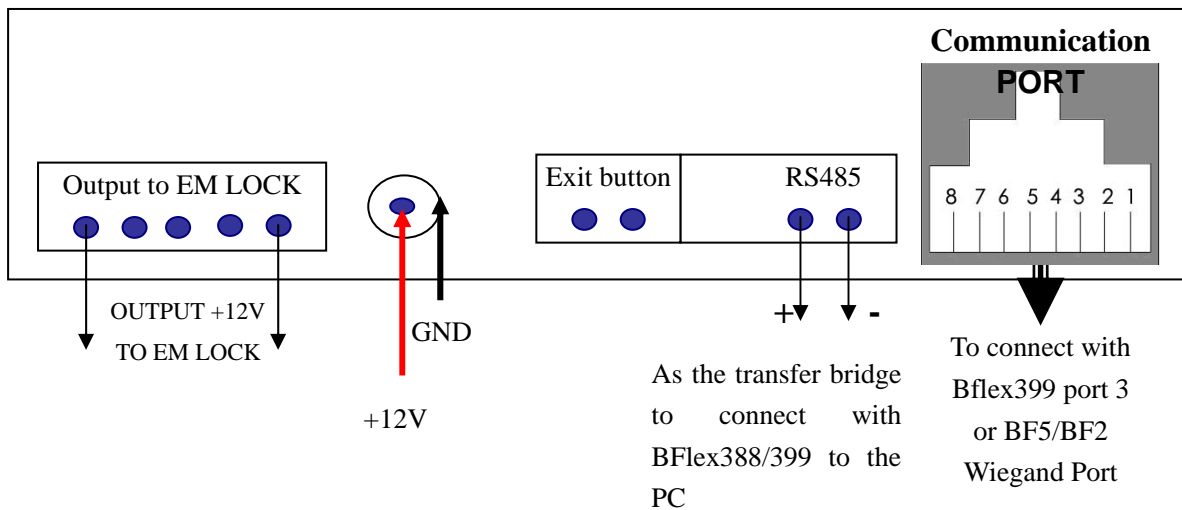
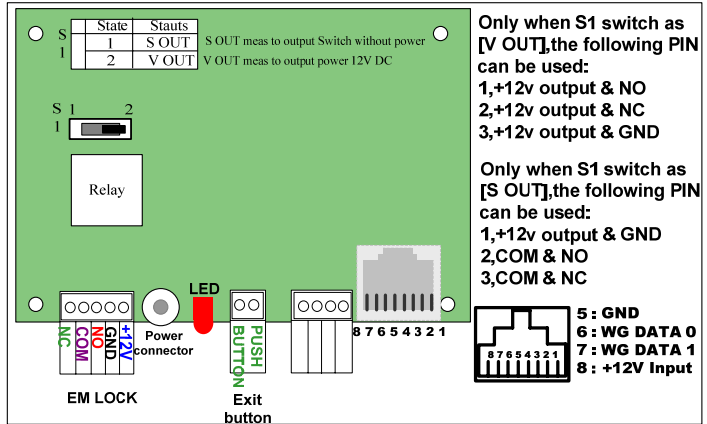
# Bflex 909 SIMPLE Wiegand 26 Access Controller

(Support 1 Reader)



Pin 1,2,3,4 Empty

- 5 : GND
- 6 : WG DATA 0
- 7 : WG DATA 1
- 8 : +12V Output



## Specification for BFLEX 909

Communication	RS485 (only support BFLEX 388/399)
Access Controller Output	+12V to EM lock
Operating Humidity	20% to 80%
Operating Temperature	-30°C - 60°C
Storage Humidity	20%-80%
Storage Temperature	-35°C - + 65°C
Voltage Supply	12VDC@1.5A Input and Output
Power Consumption	< 5W

- This model offers ONE year warranty period for manufacturing defects.